

# HOT

"Since 1916"

**Auveco**  
PRODUCTS

HNI-238 12/05/08

For Bulletin Archive Navigate To:

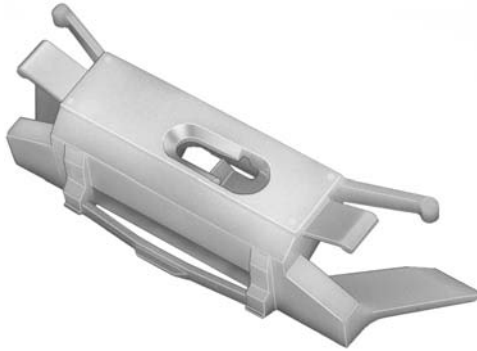
<http://www.auveco.com/new.htm>

1-800-354-9816 Ext. 1

Fax: 1-800-552-8197

## New Item Bulletin

## Items Available For Immediate Shipment



**21094**  
(91572-SDA-A01)  
White Nylon

Windshield Moulding Clip  
Width: 14mm  
Length: 62mm  
Honda Accord & Civic  
2003 - On

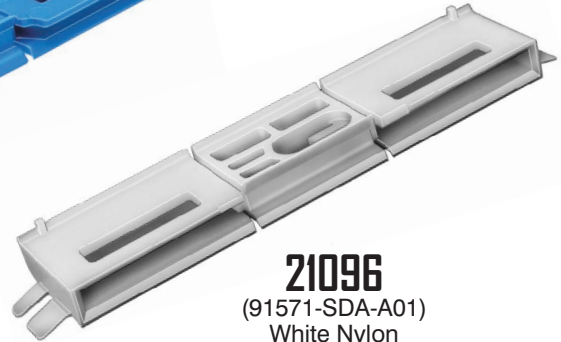
UNIT PACKAGE: 10



**21095**  
(91570-SDA-A01)  
Blue Nylon

Windshield Moulding Clip  
Width: 15mm  
Length: 76mm  
Honda Accord  
2003 - On

UNIT PACKAGE: 10



**21096**  
(91571-SDA-A01)  
White Nylon

Windshield Moulding Clip  
Width: 16mm  
Length: 75mm  
Honda Accord  
2003 - On

UNIT PACKAGE: 10

SERVICING THE AUTOMOTIVE AND INDUSTRIAL/MRO MARKETS

"Since 1916"  
**Auveco**  
PRODUCTS

OVER 18,000 ITEMS  
WORLD'S LARGEST SELECTION  
of  
BODY HARDWARE and SPECIALTY FASTENERS

COLD SPRING, KY 41076  
PHONE: (859) 341-6450 or (800) 354-9816  
FAX: (859) 331-5590 or (800) 552-8197

2009  
2009  
2009

2009  
December  
2009

## A Great Giveaway To Your Loyal Customers

**30014**

### 2009 Auveco Promotional Daily Date Calendar

Attractive green and white calendar features daily tear-away page. The Auveco name is prominently displayed but no street address or telephone numbers are listed.

UNIT PACKAGE: 1